



# V2V EDTECH LLP

Online Coaching at an Affordable Price.

## OUR COURSES:

- Diploma in All Branches, All Subjects
- Degree in All Branches, All Subjects
- BSCIT / CS
- Professional Courses



**+91 93260 50669**



**[www.v2vclass.com](http://www.v2vclass.com)**



**V2V EdTech LLP**



**v2vedtech**



WINTER-19 EXAMINATION

Subject Name: Electric circuits and network

Subject Code: 22330

Model Answer

1

**Important Instructions to examiners:**

- 1) The answers should be examined by key words and not as word-to-word as given in the model answer scheme.
- 2) The model answer and the answer written by candidate may vary but the examiner may try to assess the understanding level of the candidate.
- 3) The language errors such as grammatical, spelling errors should not be given more importance (Not applicable for subject English and Communication Skills).
- 4) While assessing figures, examiner may give credit for principal components indicated in the figure. The figures drawn by candidate and model answer may vary. The examiner may give credit for any equivalent figure drawn.
- 5) Credits may be given step wise for numerical problems. In some cases, the assumed constant values may vary and there may be some difference in the candidate's answers and model answer.
- 6) In case of some questions credit may be given by judgement on part of examiner of relevant answer based on candidate's understanding.
- 7) For programming language papers, credit may be given to any other program based on equivalent concept.

Q. No.	Sub Q. N.	Answers	Marking Scheme
1	(A)	<b>Attempt any FIVE of the following:</b>	<b>10- Total Marks</b>
	(a)	<b>Define:</b>  (i) Apparent power (ii) Real power	<b>2M</b>
	<b>Ans:</b>	<b>(i) Apparent power</b> It is the product of rms values of applied voltage and circuit current. Unit: volt-ampere (VA) OR kilo-volt-ampere (kVA) OR Mega-volt-ampere (MVA) $S = VI = I^2 Z$ volt-ampere (VA) <b>(ii) Real power</b> The active power is defined as the average power $P_{avg}$ taken by or consumed by the given circuit.  <b>(OR)</b>	<b>1 M for each definition</b>



WINTER-19 EXAMINATION

Subject Name: Electric circuits and network

Subject Code: 22330

Model Answer

2

	It is the power which is actually dissipated in the circuit resistance. $P = V.I.\cos\phi$ Unit: - Watt OR Kilowatt	
<b>(b)</b>	<b>Write equation of resultant impedance in R-L circuit.</b>	<b>2M</b>
<b>Ans:</b>	<b>The equation of resultant impedance in R-L circuit</b> $Z = \sqrt{(R^2 + X_L^2)}$ Where ,R=Resistance $X_L = \text{Inductive Reactance} = 2\pi fL \Omega.$	<b>2 M for equation</b>
<b>(c)</b>	<b>State condition for resonance in R-L-C series circuit.</b>	<b>2M</b>
<b>Ans:</b>	<b>The condition for resonance in R-L-C series circuit.</b> i) Inductive Reactance should be equal to capacitive reactance. That is $X_L = X_C$ ii) The power factor of the circuit is $\cos \phi = 1$ iii) The voltage and current in the R-L-C series circuit are in phase with each other. iv) Current in the circuit is maximum and given by $I = V/R.$ v) Impedance of the circuit is minimum and given by $Z = R.$	<b>2M for any two conditions</b>
<b>(d)</b>	<b>Draw –</b> <b>(i) Practical voltage source</b> <b>(ii) Ideal current source</b>	<b>2M</b>
<b>Ans:</b>	<b>i) Practical voltage source</b>	<b>1 M for each diagram</b>

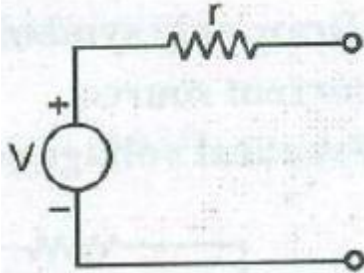
WINTER-19 EXAMINATION

Subject Name: Electric circuits and network

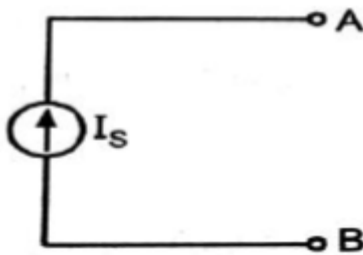
Subject Code: 22330

Model Answer

3



ii) Ideal current source

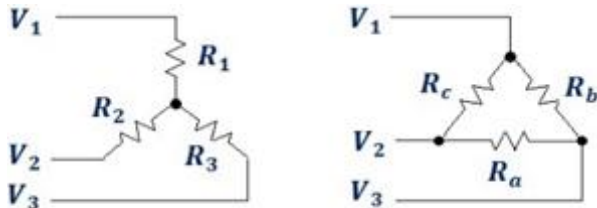


Where,  
 $I_s$  = Current Source  
 $R_s$  = internal resistance of source

e) Write formula for star to delta and delta to star transformation.

2M

Ans: The formula star to delta conversion



$$R_a = \frac{R_1 R_2 + R_1 R_3 + R_2 R_3}{R_1}$$

$$R_b = \frac{R_1 R_2 + R_1 R_3 + R_2 R_3}{R_2}$$

$$R_c = \frac{R_1 R_2 + R_1 R_3 + R_2 R_3}{R_3}$$

1 M for  
star to  
delta  
transfor  
mation

1 M for  
delta to  
star  
transfor  
mation

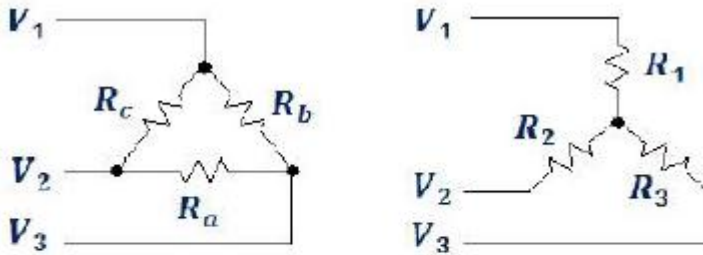
WINTER-19 EXAMINATION

Subject Name: Electric circuits and network

Subject Code: 22330

Model Answer

The formula for Delta to Star conversion-



$$R_1 = \frac{R_b R_c}{R_a + R_b + R_c}$$

$$R_2 = \frac{R_a R_c}{R_a + R_b + R_c}$$

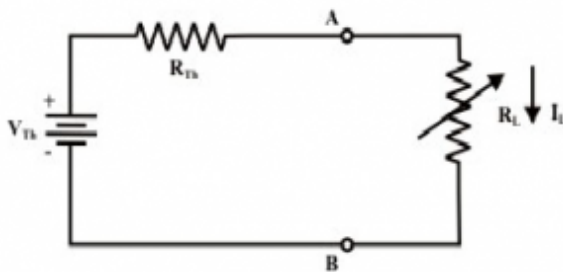
$$R_3 = \frac{R_a R_b}{R_a + R_b + R_c}$$

f) State maximum power transfer theorem.

2M

Ans: Maximum Power Transfer Theorem states that "Maximum power is transferred from the source to the load when the load resistance is equal to the Thevenin's equivalent resistance of the given circuit as seen from load terminals"  
.i. e,  $R_L = R_{TH}$

2M for statement



g) Write equation of short circuit Y parameters.

2M

Ans: The equation of short circuit Y parameters.

1 M for each equation



WINTER-19 EXAMINATION

Subject Name: Electric circuits and network

Subject Code: 22330

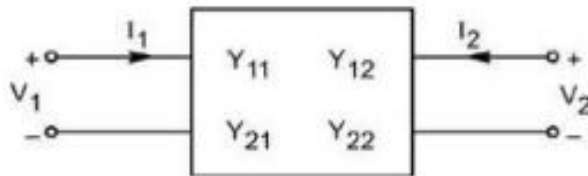
Model Answer

5

$$\begin{bmatrix} I_1 \\ I_2 \end{bmatrix} = \begin{bmatrix} Y_{11} & Y_{12} \\ Y_{21} & Y_{22} \end{bmatrix} \begin{bmatrix} V_1 \\ V_2 \end{bmatrix}$$

$$I_1 = Y_{11} V_1 + Y_{12} V_2 \dots\dots\dots 1$$

$$I_2 = Y_{21} V_1 + Y_{22} V_2 \dots\dots\dots 2$$



Q. No.	Sub Q. N.	Answers	Marking Scheme
2		Attempt any THREE of the following:	12- Total Marks
	a)	For R-C series circuit draw  (i) Circuit diagram (ii) Vector diagram (iii) Waveform of voltage and current	4M
	Ans:	i)Circuit diagram	1M- circuit diagram, 1M- vector diagram, 2M- wavefor ms

WINTER-19 EXAMINATION

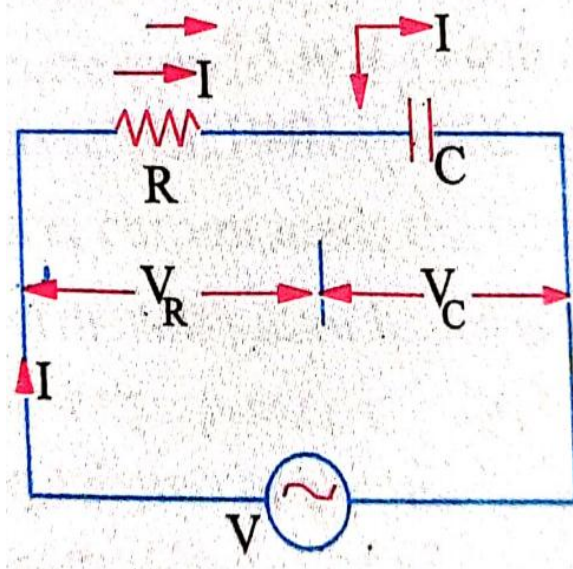
Subject Name: Electric circuits and network

Subject Code:

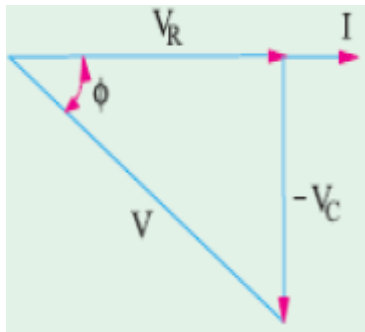
22330

Model Answer

6



ii) Vector diagram



iii) Waveform of voltage and current

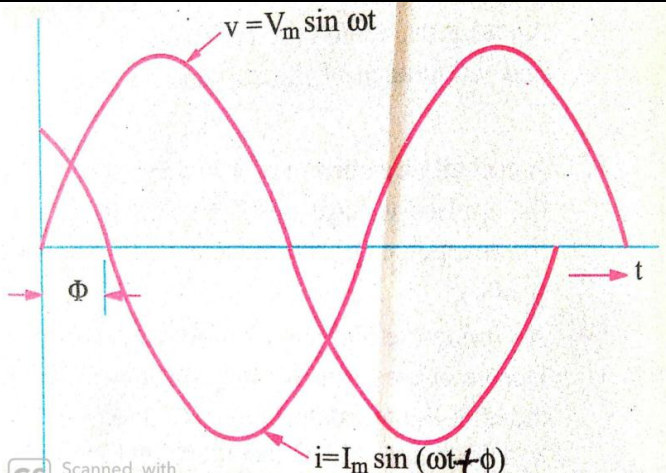
WINTER-19 EXAMINATION

Subject Name: Electric circuits and network

Subject Code: 22330

Model Answer

7



b) Compare series and parallel resonance on the basis of

- (i) Resonating frequency
- (ii) Impedance
- (iii) Current
- (iv) Magnification

4M

Ans:

S. No	Parameter	Series Circuit	Parallel Circuit
1	Resonating frequency	$f_r = \frac{1}{2\pi\sqrt{LC}}$	$f_r = \frac{1}{2\pi\sqrt{\frac{1}{LC} - \frac{R^2}{L^2}}}$
2	Impedance	Minimum, $Z = R$	Maximum, $Z = L/CR$
3	Current	Maximum, $I = V/R$	Minimum, $I = V/(L/CR)$
4	Magnification	Voltage magnification takes place	Current magnification takes place

1M for each point

c) Explain the suitable example to convert a practical current source into equivalent voltage source.

4M



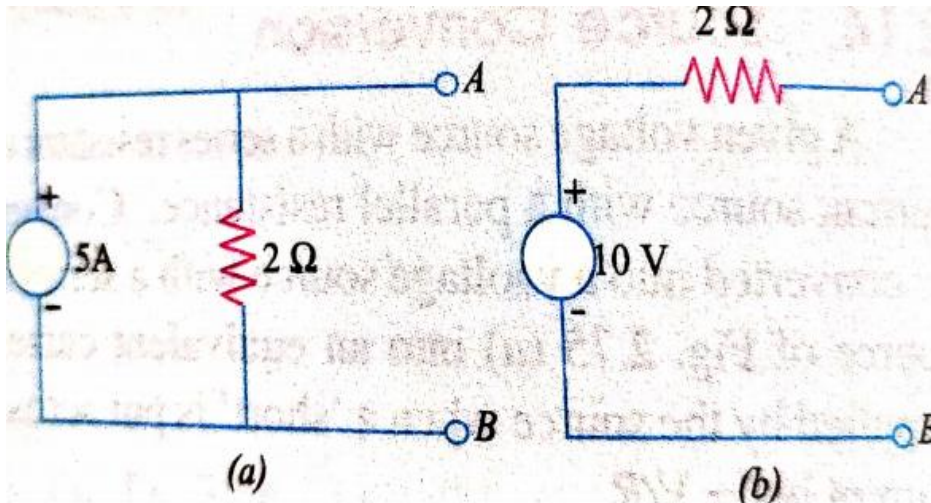
WINTER-19 EXAMINATION

Subject Name: Electric circuits and network

Subject Code: 22330

Model Answer

Ans:



The open-circuit voltage across terminals A and B is

$$V_{oc} = \text{drop across } R \\ = 5 \times 2 = 10V$$

Hence, voltage source has a voltage of 10V and the same resistance of 2Ω

2M-  
circuit  
diagram,  
2M-  
conversi  
on

d) Write the steps for finding the current through an element by Thevenin's theorem.

4M

Ans: Steps to find Thevenin's equivalent circuit, taking an example is as follows:

1M each  
step

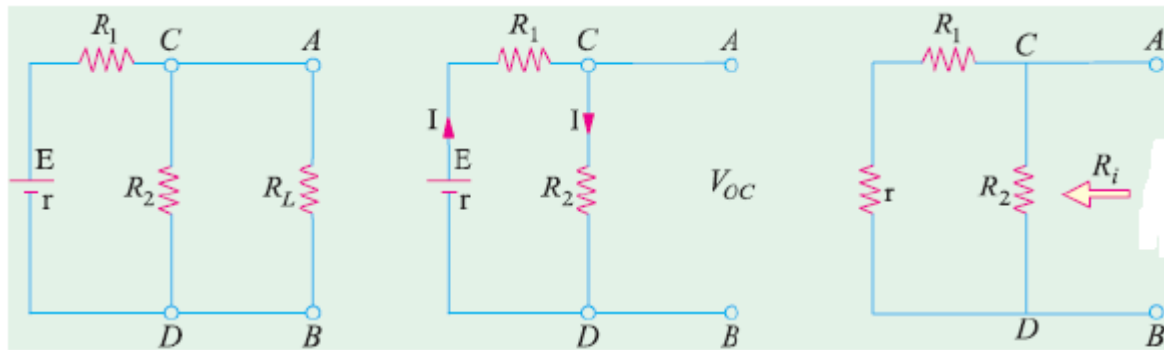


Fig.(a)

fig.(b)

fig.(c)

WINTER-19 EXAMINATION

Subject Name: Electric circuits and network

Subject Code: 22330

Model Answer

9

1. From the given circuit (fig.a), Remove  $R_L$  from the terminals A and B and redraw the circuit as shown in fig.b.

2. Calculate the open-circuit voltage  $V_{oc}$  which appears across terminals A and B. As seen,  $V_{oc} = \text{drop across } R_2 = IR_2$  where  $I$  is the circuit current when A and B are open.

$$I = \frac{E}{R_1 + R_2 + r} \quad \therefore V_{oc} = IR_2 = \frac{ER_2}{R_1 + R_2 + r} \quad [r \text{ is the internal resistance of battery}]$$

It is also called 'Thevenin voltage'  $V_{th}$ .

3. Now, imagine the battery to be removed from the circuit, leaving its internal resistance  $r$  behind and redraw the circuit, as shown in fig.(c). When viewed inwards from terminals A and B, the equivalent resistance is given as,

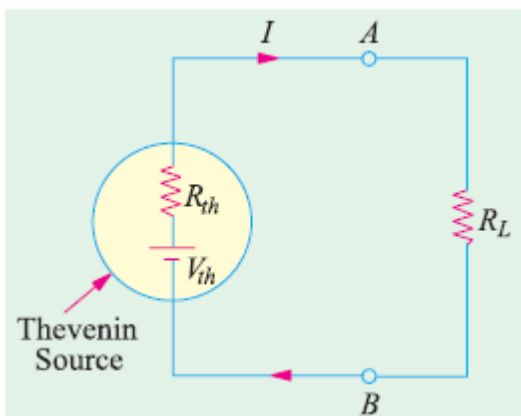
$$R = R_2 \parallel (R_1 + r) = \frac{R_2(R_1 + r)}{R_2 + (R_1 + r)}$$

This is called Thevenin's equivalent resistance  $R_{th}$ .

4. Connect  $R_L$  back across terminals A and B (fig.d) from where it was temporarily removed earlier.

Current flowing through  $R_L$  is given by

$$I = \frac{V_{th}}{R_{th} + R_L}$$

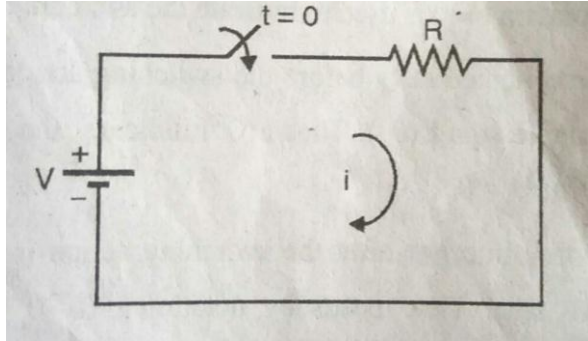
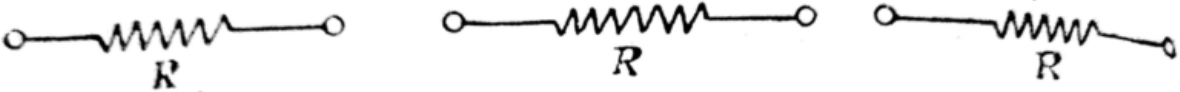


WINTER-19 EXAMINATION

Subject Name: Electric circuits and network

Subject Code: 22330

Model Answer

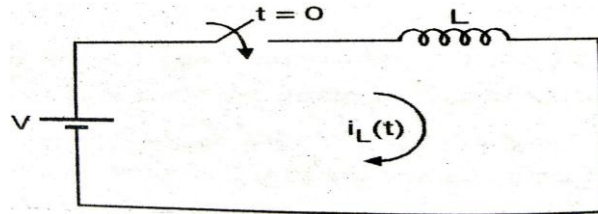
Q. No.	Sub Q. N.	Answers	Marking Scheme
3		Attempt any THREE of the following :	12- Total Marks
	a)	<p><b>Explain the concept of initial and final conditions in switching circuits for elements R and L.</b></p> <p><b>Ans:</b> Concept of Initial and final condition in switching circuits for R: Consider a resistor is connected to a voltage source, using a switch as shown in fig below</p>  <p>The switch is closed at time <math>t = 0</math>, so we get <math>V = iR</math> which is time independent equation. Here current changes as per voltage without any time delay. There is no change in the value of resistor <math>R</math>, it remains same for initial condition and final condition.</p>  <p>Initial condition                      equivalent circuit at <math>t=0+</math>                      equivalent circuit at <math>t = \infty</math></p>	<p>4M</p> <p>2M for resistance</p> <p>2M for inductance</p>
		<p><b>Concept of Initial and final condition in switching circuits for L:</b></p> <p>Consider a inductor is connected to voltage source as shown in fig below:</p>	

WINTER-19 EXAMINATION

Subject Name: Electric circuits and network

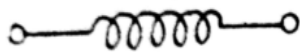
Subject Code: 22330

Model Answer

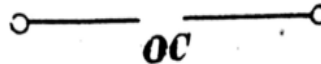


The property of inductor is to oppose any change in current. So the current through an inductor cannot change instantaneously. There are 2 cases.

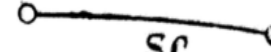
- i) If no initial current is passing through inductor, then at  $t = 0+$ , it acts as open circuit. The final condition is given by the equation  $v_L = L di/dt$ .  
At  $t = \infty$ , it acts as short circuit.



Initial condition



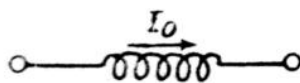
equivalent circuit at  $t=0+$



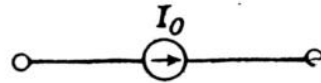
equivalent circuit at  $t = \infty$

- ii) If initial current is passing through inductor, then at  $t = 0+$ , it acts as constant current source of value  $I_0$ .

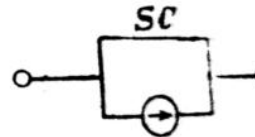
At  $t = \infty$ , (final condition), the inductor acts as current source of value  $I_0$  in parallel with short circuit. ( $I_0$  is the current in inductor just before switching)



Initial condition



equivalent circuit at  $t=0+$



equivalent circuit at  $t = \infty$

b) Derive an expression for resonant frequency of series RLC circuit.

4M

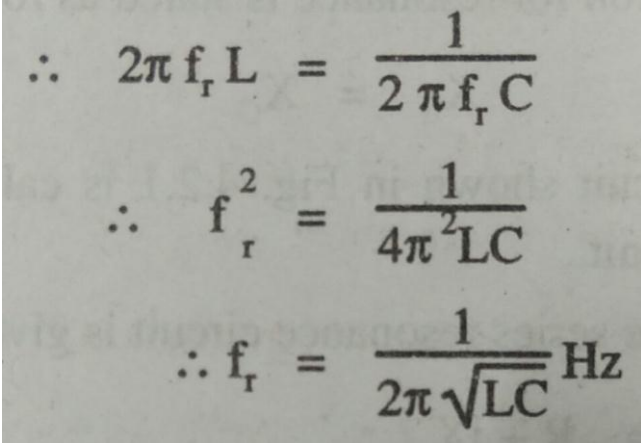
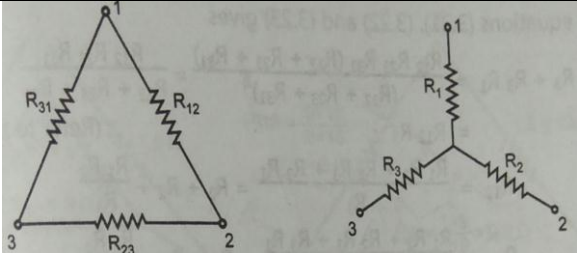
WINTER-19 EXAMINATION

Subject Name: Electric circuits and network

Subject Code: 22330

Model Answer

12

<p><b>Ans:</b></p>	<p>At resonance frequency in RLC series circuit, we have inductive reactance is equal to capacitive reactance i.e.</p> $X_L = X_C$ <p>As <math>X_L = 2\pi f_r L</math> and <math>X_C = 1/2\pi f_r C</math>, we can write</p>  <p>Where <math>f_r</math> is the resonant frequency in RLC series circuit.</p>	<p><b>4 M</b></p>
<p><b>c)</b></p>	<p><b>Derive an expression for delta to star transformation.</b></p>	<p><b>4M</b></p>
<p><b>Ans:</b></p>	 <p>Equivalent delta and star network</p> <p>For delta network the resistance between the terminals 1 and 2 consists of <math>R_{12}</math> in parallel with <math>(R_{23} + R_{31})</math>. Hence, the resistance between the terminals 1 and 2 is</p>	<p><b>1M</b></p>



WINTER-19 EXAMINATION

Subject Name: Electric circuits and network

Subject Code:

22330

Model Answer

13

$$= \frac{R_{12} (R_{23} + R_{31})}{R_{12} + R_{23} + R_{31}}$$

In case of star network the resistance between the terminals 1 and 2 is  $=R_1+R_2$ , so we get

$$R_1 + R_2 = \frac{R_{12} (R_{23} + R_{31})}{R_{12} + R_{23} + R_{31}} \quad \text{---i)}$$

$$R_2 + R_3 = \frac{R_{23} (R_{31} + R_{12})}{R_{12} + R_{23} + R_{31}} \quad \text{---ii)}$$

$$R_3 + R_1 = \frac{R_{31} (R_{12} + R_{23})}{R_{12} + R_{23} + R_{31}} \quad \text{---iii)}$$

---ii & iii)

Subtracting equation (ii) from (i), we get

$$R_1 - R_3 = \frac{R_{12} R_{23} + R_{12} R_{31} - R_{23} R_{31} - R_{23} R_{12}}{R_{12} + R_{23} + R_{31}}$$

$$R_1 - R_3 = \frac{R_{12} R_{31} - R_{23} R_{31}}{R_{12} + R_{23} + R_{31}} \quad \text{---iv)}$$

1M

1M



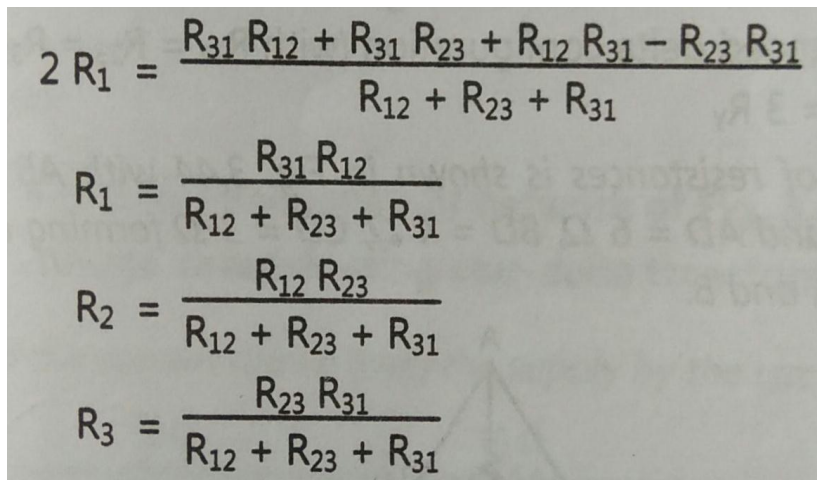
WINTER-19 EXAMINATION

Subject Name: Electric circuits and network

Subject Code: 22330

Model Answer

14

	<p>Adding equations (iii) and( iv),we have</p> 	<p>1M</p>
<p>d)</p>	<p><b>State super position theorem. Write steps to find current in an element using super position theorem.</b></p>	<p>4M</p>
<p>Ans:</p>	<p>Statement of superposition theorem: In any linear network containing two or more sources, the current in any element is equal to algebraic sum of the current caused by individual source acting alone, while the other sources are replaced for the time being by resistances equal to their internal resistances.</p> <p>Steps to find current using superposition theorem:</p> <ol style="list-style-type: none"> <li>1. Select any one energy source.</li> <li>2. Replace all other energy sources i.e. voltage source by short circuit and current source by open circuit.</li> <li>3. Calculate voltage drop and branch current due to selected energy source.</li> <li>4. Repeat steps 1,2,3 for each source individually.</li> <li>5. Add algebraically the voltage drops and branch currents to obtain combined effect of all sources.</li> </ol>	<p>2M – state ment</p> <p>2M for steps</p>



WINTER-19 EXAMINATION

Subject Name: Electric circuits and network

Subject Code: 22330

Model Answer

15

Q. No.	Sub Q. N.	Answers	Marking Scheme
4		Attempt any THREE of the following :	12- Total Marks
	(a)	A series combination of resistance 100 ohm and capacitance 50 $\mu$ f is connected in series to a 230 V, 50HZ supply. Calculate  (i) Capacitive reactance (ii) Current (iii) Power factor (iv) Power consumed	4M
	Ans:	Solution: For RC series circuit	1M  1M  1M





WINTER-19 EXAMINATION

Subject Name: Electric circuits and network

Subject Code: 22330

Model Answer

16

	<p>Given <math>R=100 \Omega</math>, <math>C=50 \mu\text{f}</math>, <math>V=230\text{V}</math>, <math>f=50\text{Hz}</math></p> <p>(i) Capacitive Reactance</p> $X_c = \frac{1}{2\pi f C} = \frac{1}{2\pi \times 50 \times 50 \times 10^{-6}} = \underline{\underline{63.66 \Omega}}$ <p>(ii) Current</p> $I = \frac{V}{Z} = \frac{V}{\sqrt{R^2 + X_c^2}} = \frac{230}{\sqrt{(100)^2 + (63.66)^2}}$ $= \frac{230}{118.54} = \underline{\underline{1.94 \text{ A}}}$ <p>(iii) Power factor</p> $\cos \phi = \frac{R}{Z} = \frac{100}{118.54} = \underline{\underline{0.8435}} \text{ leading}$ <p>(iv) Power consumed</p> $P = V I \cos \phi = 230 \times 1.94 \times 0.8435$ $= \underline{\underline{376.36 \text{ W}}}$	<p>1M</p>
<p>(b)</p>	<p>Two impedances given by <math>Z_1 = 10 + j5</math> and <math>Z_2 = 8 + j9</math> are joined in parallel and connected across a voltage of <math>V = 200 + j0</math>. Calculate the circuit current and branch currents. Draw the vector diagram.</p>	<p>4M</p>
<p>Ans:</p>	<p>Solution:</p> <p>Given, <math>Z_1=10+j5</math>, <math>Z_2=8+j9</math>, <math>V=200+j0</math></p>	



WINTER-19 EXAMINATION

Subject Name: Electric circuits and network

Subject Code: 22330

Model Answer

17

Given:  $Z_1 = 10 + j5$ ,  $Z_2 = 8 + j9$  and  $v = 200 \angle 0^\circ$

To find circuit current first we have to calculate total admittance

(a) Total admittance

$$\begin{aligned} Y &= Y_1 + Y_2 = \frac{1}{Z_1} + \frac{1}{Z_2} = \frac{1}{10 + j5} + \frac{1}{8 + j9} \\ &= \frac{1}{11.18 \angle 26.56^\circ} + \frac{1}{12.04 \angle 48.36^\circ} \\ &= 0.089 \angle -26.56^\circ + 0.083 \angle -48.36^\circ \\ &= (0.08 - 0.04j) + (0.06 - 0.06j) \\ &= 0.14 - 0.1j \\ &= \underline{0.17 \angle -35.53^\circ} \end{aligned}$$

1M

(b) Circuit current,  $I = v \times Y$

$$\begin{aligned} &= (200 \angle 0^\circ) (0.17 \angle -35.53^\circ) \\ &= \underline{34 \angle -35.53^\circ} \text{ A} \end{aligned}$$

1M

(c) Branch current

$$\begin{aligned} I_1 &= v \times Y_1 \\ &= (200 \angle 0^\circ) (0.089 \angle -26.56^\circ) \\ &= \underline{17.8 \angle -26.56^\circ} \text{ A} \end{aligned}$$

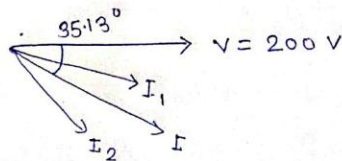
1M

$$I_2 = v \times Y_2$$

$$\begin{aligned} &= (200 \angle 0^\circ) (0.083 \angle -48.36^\circ) \\ &= \underline{16.6 \angle -48.36^\circ} \text{ A} \end{aligned}$$

1M

(d) Vector Diagram



(c) An a.c series circuit has resistance of 10ohm, inductance of 0.1H and capacitance of 10 $\mu$ f, voltage applied to circuit is 200V. find

4M

- (i) Resonant frequency
- (ii) Current at resonance
- (iii) Power at resonance



WINTER-19 EXAMINATION

Subject Name: Electric circuits and network

Subject Code: 22330

Model Answer

18

Ans:	Solution: For RLC series circuit	
Given:	$R = 10 \Omega, L = 0.1 \text{ H}, C = 10 \mu\text{F}, V = 200 \text{ V}$	
(i) Resonant frequency	$f_r = \frac{1}{2\pi\sqrt{LC}} = \frac{1}{2\pi\sqrt{0.1 \times 10 \times 10^{-6}}}$ $= 159.13 \text{ Hz}$	2M
(ii) current at resonance,	$I = \frac{V}{Z}$ $= \frac{V}{R} = \frac{200}{10} = 20 \text{ A}$	1M
(iii) Power at resonance,	$P = VI \cos \phi$ $= 200 \times 20 \times 1 = 4000 \text{ W}$ $= 4 \text{ kW}$	1M
(d)	Use mesh analysis to calculate ammeter current in Fig No. 1	4M

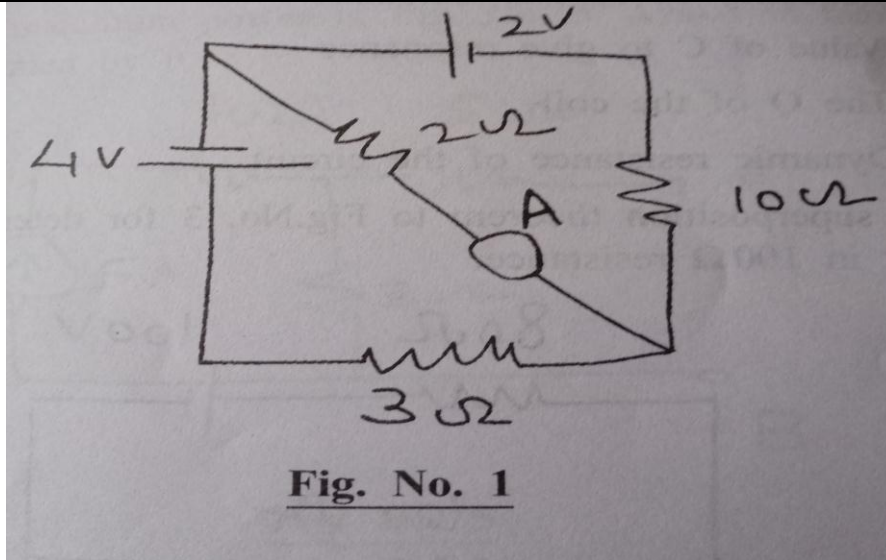
WINTER-19 EXAMINATION

Subject Name: Electric circuits and network

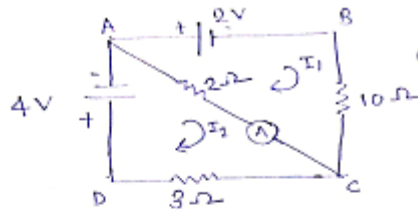
Subject Code: 22330

Model Answer

19



Ans:



Ⓐ Applying mesh analysis to loop ABCA, we have

$$-2 - 10 I_1 - 2 (I_1 - I_2) = 0$$

$$\therefore -2 - 12 I_1 + 2 I_2 = 0$$

$$\therefore -6 I_1 + I_2 = 1 \quad \text{--- (i)}$$

Ⓑ Applying mesh analysis to loop ACDB, we have

$$-2 (I_2 - I_1) - 3 I_2 - 4 = 0$$

$$\therefore -5 I_2 + 2 I_1 - 4 = 0$$

$$\therefore 2 I_1 - 5 I_2 = 4 \quad \text{--- (ii)}$$

Multiplying eq<sup>n</sup> (ii) by 3 we get,

$$6 I_1 - 15 I_2 = 12 \quad \text{--- (iii)}$$

Adding eq<sup>n</sup> (i) + (iii) we get

$$-14 I_2 = 13$$

$$\therefore I_2 = -13/14 = -0.92 \text{ A}$$

From eq<sup>n</sup> (i)  $-6 I_1 + (-0.92) = 1$

$$\therefore -6 I_1 = 1.92$$

$$\therefore I_1 = -0.32 \text{ A}$$

$\therefore$  Current in ammeter is  $I_1 - I_2 = -0.32 - (-0.92)$

$$= -0.32 + 0.92$$

$$= \underline{0.6 \text{ A (cta A)}}$$

1M

1M

1/2M

1/2M

1M

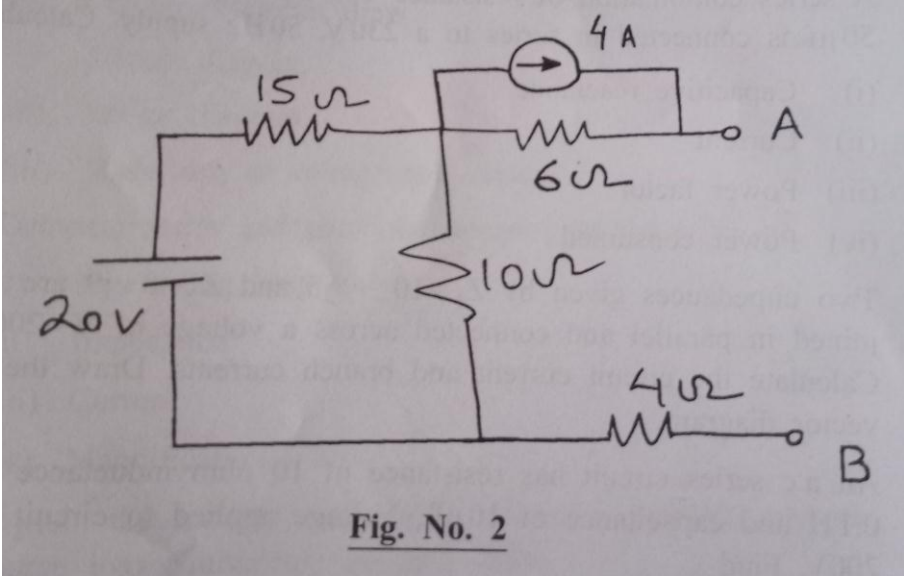
WINTER-19 EXAMINATION

Subject Name: Electric circuits and network

Subject Code: 22330

Model Answer

20

<p>(e)</p>	<p>Find the Norton equivalent resistance for the network shown in Fig No. 2</p>  <p style="text-align: center;"><u>Fig. No. 2</u></p>	<p>4M</p>
<p>Ans:</p>	<p>Solution: To find Norton's equivalent resistance removing voltage source and current source. Voltage source is replaced by short circuit and current source is replaced by open circuit so, we get circuit as</p>	<p>Diagram :1M  R<sub>N</sub> calculation :3M</p>



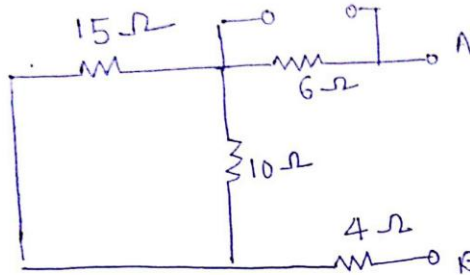
WINTER-19 EXAMINATION

Subject Name: Electric circuits and network

Subject Code: 22330

Model Answer

21



Tracing circuit from A & B, we have  $15\Omega$  &  $10\Omega$  resistor in parallel.

$$\therefore \text{Its equivalent resistance } R_{eq} = \frac{15 \times 10}{15 + 10} = 6\Omega$$

Now  $6\Omega$ ,  $6\Omega$  &  $4\Omega$  resistor are in series,

$$\therefore \text{we have } R_s = 6 + 6 + 4 = 16\Omega$$

$$\therefore \text{Norton's equivalent resistance } \underline{R_N = 16\Omega}$$

Q. No.	Sub Q. N.	Answers	Marking Scheme
5.		Attempt any TWO of the following:	12- Total Marks
	a)	<p>A coil of resistance 20 ohm and inductance of <math>200\mu\text{H}</math> is in parallel with variable capacitor. This combination is in series with a resistance of 8000 ohm. The voltage of the supply is 200 V and at frequency of <math>10^6</math> Hz. Calculate</p> <p>(i) Value of C to give resonance                      (ii) The Q of the coil                      (iii) Dynamic resistance of the circuit.</p>	6M



WINTER-19 EXAMINATION

Subject Name: Electric circuits and network

Subject Code: 22330

Model Answer

22

Ans:

Ans :→

$$\begin{aligned} \textcircled{1} \text{ Inductive Reactance } X_L &= 2\pi fL \\ &= 2 \times \pi \times 10^6 \times 200 \times 10^{-6} \\ &= 1256 \Omega \end{aligned}$$

$$\begin{aligned} \textcircled{2} \text{ Impedance } Z &= \sqrt{R^2 + X_L^2} \\ &= \sqrt{20^2 + (1256)^2} \\ Z &= 1256.16 \Omega \end{aligned}$$

$$\begin{aligned} \textcircled{3} \quad Z_L^2 &= L/C \quad \text{at parallel Resonance} \\ \text{Value of } C \text{ at Resonance} \rightarrow C &= \frac{L}{Z_L^2} = \frac{200 \times 10^{-6}}{(1256.16)^2} = 125.5 \times 10^{-12} \text{ F} \\ &= 125.5 \text{ pF} \end{aligned}$$

$$\begin{aligned} \textcircled{4} \text{ Q of coil} &= \frac{2\pi f_r L}{R} \\ &= \frac{2\pi \times 10^6 \times 200 \times 10^{-6}}{20} = 62.8 \end{aligned}$$

⑤ Dynamic Resistance of coil circuit

$$Z_r = \frac{L}{CR}$$

$$Z_r = \frac{200 \times 10^{-6}}{125.6 \times 10^{-12} \times 20} = 78957 \Omega$$

i) Value of C -2 Marks,

ii) Q of coil -2 Marks

iii) Dynamic Resistance -2 Marks



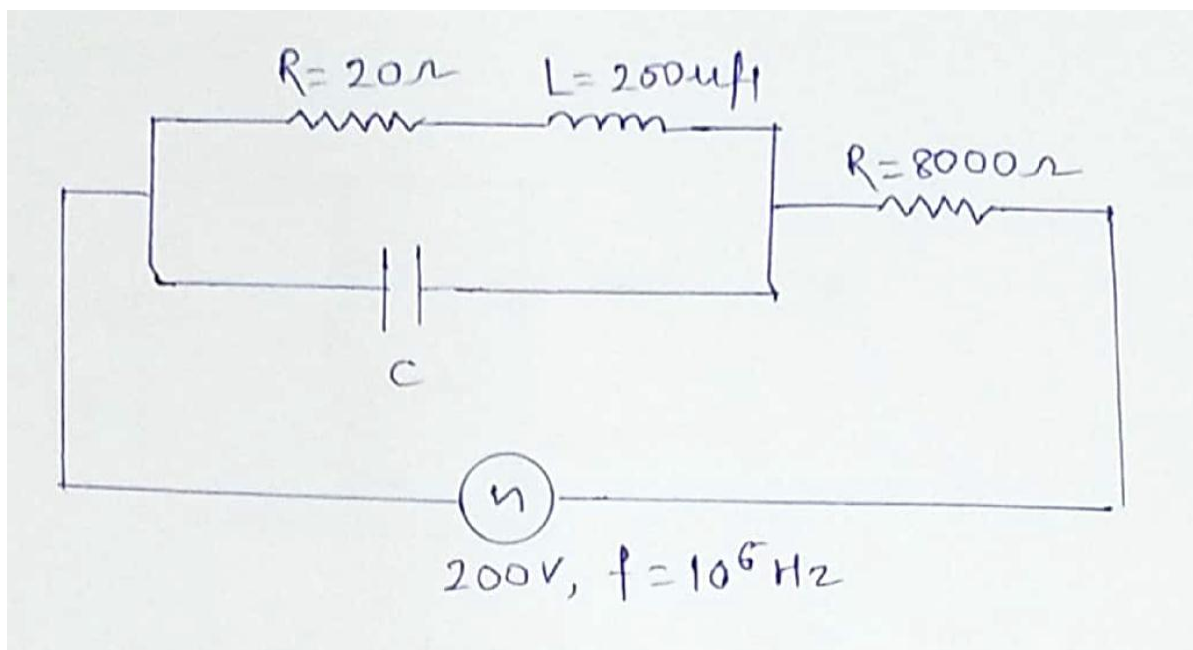
WINTER-19 EXAMINATION

Subject Name: Electric circuits and network

Subject Code:

22330

Model Answer



b) Apply superposition theorem to Fig No. 3 for determining the current in 100  $\Omega$  resistance.

6M

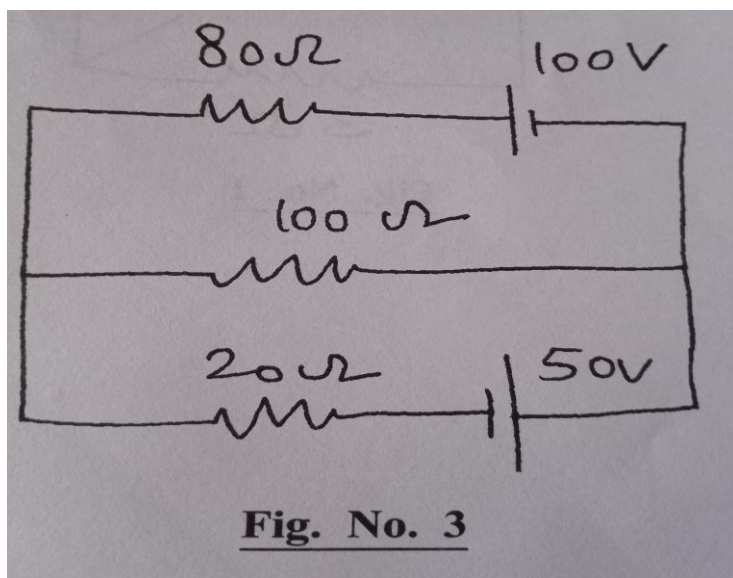


Fig. No. 3



WINTER-19 EXAMINATION

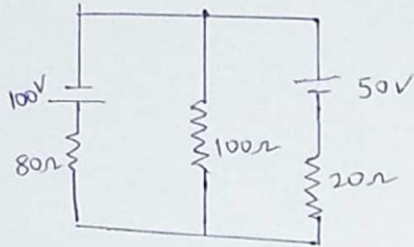
Subject Name: Electric circuits and network

Subject Code: 22330

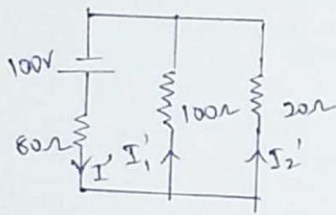
Model Answer

Ans:

Ans :-



step 1:- consider only 100V source & short 50V supply



Total Resistance across supply  

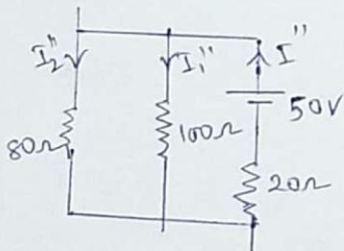
$$= 80 + \frac{100 \times 20}{100 + 20} = 96.66$$

$$I' = \frac{100}{96.66} = 1.034$$

current in  $\frac{100\Omega}{20\Omega}$  resistor =  $\frac{20}{120} \times 1.034 = 0.172$

$$I_1' = 0.172A$$

Step 2:- consider only 50V source



Total Resistance across supply  

$$= 20 + \frac{80 \times 100}{80 + 100} = 64.44$$

$$I'' = \frac{50}{64.44} = 0.7759$$

current in 100Ω resistor =  $\frac{80}{180} \times 0.7759 = 0.3448$

$$I_1'' = 0.3448$$

Therefore current 100Ω resistor

$$I_1 = I_1'' - I_1' = 0.3448 - 0.172 = 0.1728A$$

Step 1 -  
2.5  
Marks

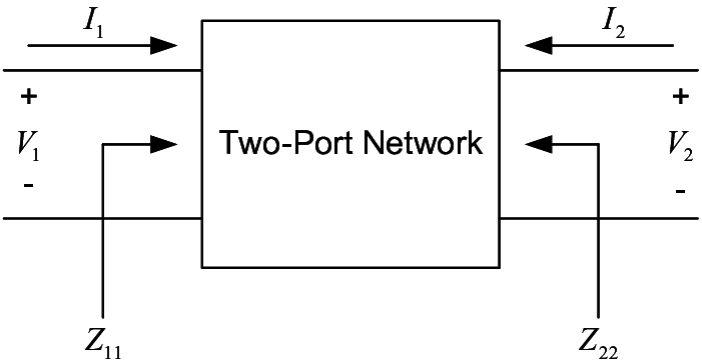
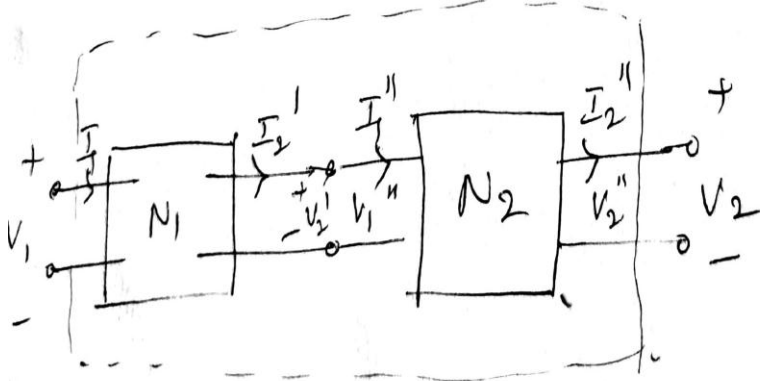
Step 2 -  
2.5 Marks  
Final  
current 1  
Mark

WINTER-19 EXAMINATION

Subject Name: Electric circuits and network

Subject Code: 22330

Model Answer

<p>c)</p>	<p>Draw the two port network and determine the indicated parameters for the following configuration</p> <p>(i) Cascade configuration (ABCD parameter) (ii) Series configuration (iii) Parallel configuration</p>	<p>6M</p>
<p>Ans:</p>	 <p>i) Cascade Configuration</p>  <p>2 Nws. <math>N_1</math> and <math>N_2</math> connected in <u>cascade</u></p>	<p>Each configuration : 1M</p> <p>Equation for parameter : 1M</p>

WINTER-19 EXAMINATION

Subject Name: Electric circuits and network

Subject Code: 22330

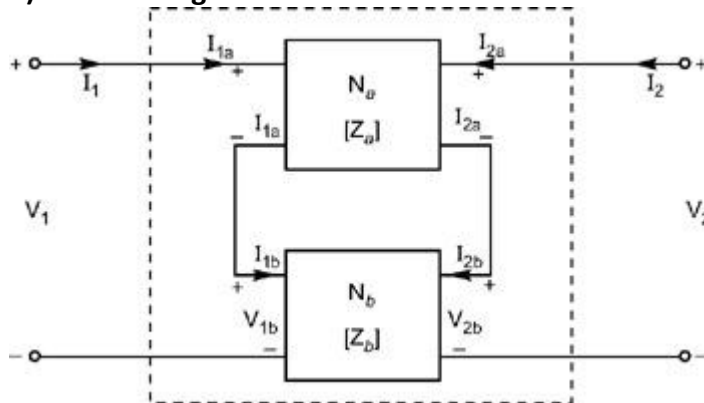
Model Answer

A, B, C, D are the parameters of cascade network, then

$$\begin{bmatrix} A & B \\ C & D \end{bmatrix} = \begin{bmatrix} A_1 & B_1 \\ C_1 & D_1 \end{bmatrix} \begin{bmatrix} A_2 & B_2 \\ C_2 & D_2 \end{bmatrix}$$

for cascade configuration, ABCD parameters has to be multiplied.

ii) Series Configuration



ii) Series configuration (Refer diagram for the same)

$$Z_{11} = Z_{11a} + Z_{11b}$$

$$Z_{12} = Z_{12a} + Z_{12b}$$

$$Z_{21} = Z_{21a} + Z_{21b}$$

$$Z_{22} = Z_{22a} + Z_{22b}$$

$$[Z] = [Z_a] + [Z_b]$$

iii) Parallel Configuration

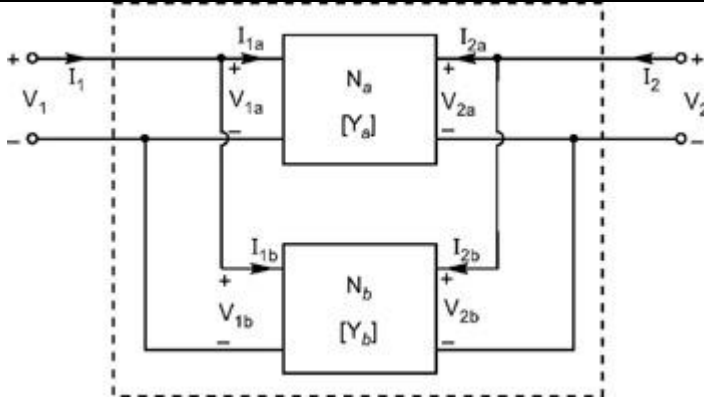
WINTER-19 EXAMINATION

Subject Name: Electric circuits and network

Subject Code: 22330

Model Answer

27



iii) Parallel configuration  
(Refer diagram for the same)

$$I_1 = (Y_{11a} + Y_{11b})V_1 + (Y_{12a} + Y_{12b})V_2$$

$$I_2 = (Y_{21a} + Y_{21b})V_1 + (Y_{22a} + Y_{22b})V_2$$

that is  $Y$  parameters for combined network can be written as

$$I_1 = Y_{11}V_1 + Y_{12}V_2$$

$$I_2 = Y_{21}V_1 + Y_{22}V_2$$

where  $Y_{11} = Y_{11a} + Y_{11b}$

$$Y_{12} = Y_{12a} + Y_{12b}$$

$$Y_{21} = Y_{21a} + Y_{21b}$$

$$Y_{22} = Y_{22a} + Y_{22b}$$

Q. No.	Sub Q. N.	Answers	Marking Scheme
6.		Attempt any TWO of the following :	12- Total

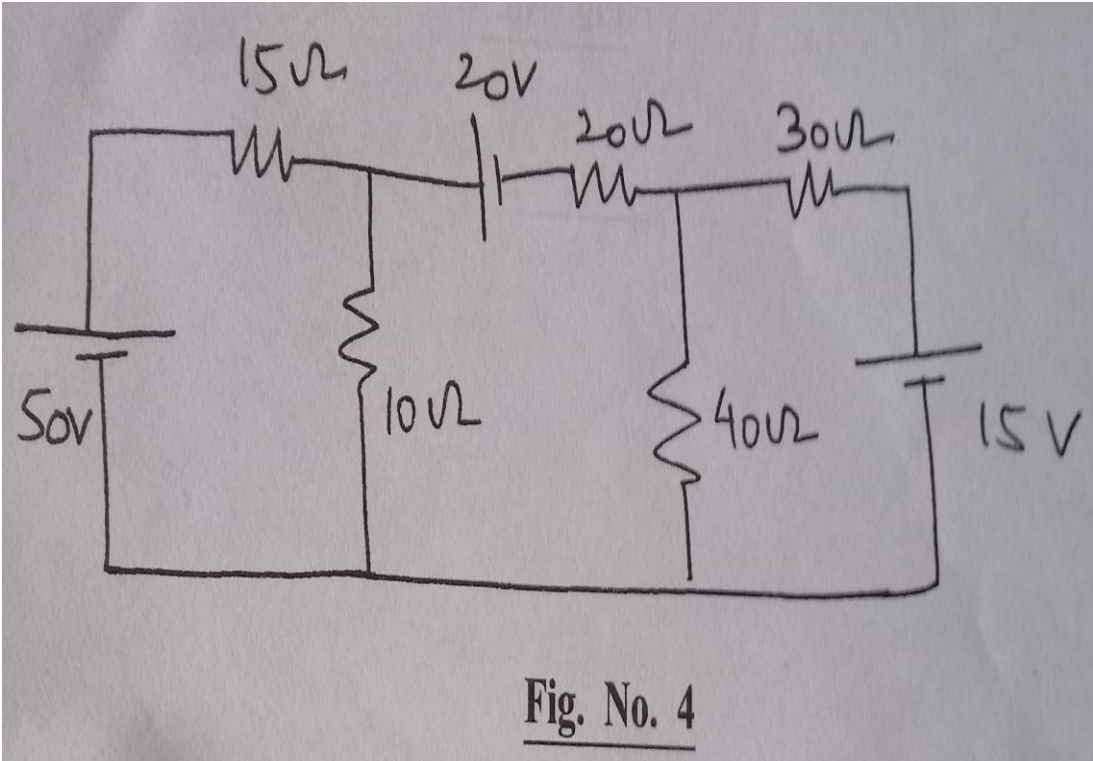
WINTER-19 EXAMINATION

Subject Name: Electric circuits and network

Subject Code: 22330

Model Answer

28

		Marks
a)	<p>Find current in <math>40\ \Omega</math> and <math>10\ \Omega</math> in Fig no. 4 node voltage analysis method.</p>  <p><u>Fig. No. 4</u></p>	6M

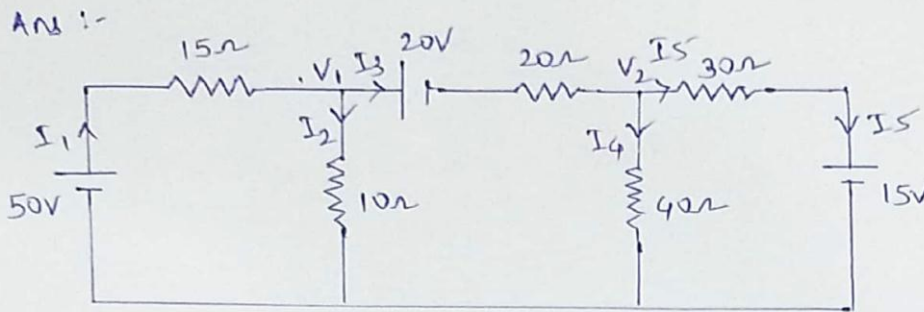
WINTER-19 EXAMINATION

Subject Name: Electric circuits and network

Subject Code: 22330

Model Answer

Ans:



Applying KCL at nodes  $V_1$  &  $V_2$ ,

$$I_1 = I_2 + I_3 \quad \rightarrow \textcircled{1}$$

$$I_3 = I_4 + I_5 \quad \rightarrow \textcircled{2}$$

for first equation

$$I_1 = I_2 + I_3$$

$$\left(\frac{50 - V_1}{15}\right) = \frac{V_1}{10} + \left(\frac{V_1 - 20 - V_2}{20}\right)$$

$$\left(\frac{50 - V_1}{15}\right) = \frac{2V_1 + V_1 - 20 - V_2}{20}$$

$$\frac{50 - V_1}{15} = \frac{3V_1 - 20 - V_2}{20}$$

$$20(50 - V_1) = 15(3V_1 - 20 - V_2)$$

$$1000 - 20V_1 = 45V_1 - 300 - 15V_2$$

$$1300 = 65V_1 - 15V_2 \quad \rightarrow \textcircled{3}$$

for second equation

$$I_3 = I_4 + I_5$$

$$\left(\frac{V_1 - 20 - V_2}{20}\right) = \frac{V_2}{40} + \left(\frac{V_2 - 15}{30}\right)$$

V1 - 2  
marks, V2  
- 2 Marks,

I through  
40 ohms -  
1 Mark,

I through  
30 ohm -  
1 Mark



WINTER-19 EXAMINATION

Subject Name: Electric circuits and network

Subject Code: 22330

Model Answer

30

$$\frac{V_1 - V_2 - 20}{20} - \frac{V_2}{40} - \frac{V_2 - 15}{30} = 0$$

$$\frac{6V_1 - 6V_2 - 120 - 3V_2 - 4V_2 + 60}{120} = 0$$

$$6V_1 - 13V_2 - 60 = 0$$

$$6V_1 - 13V_2 = 60 \rightarrow \textcircled{4}$$

By solving  $\textcircled{3}$  &  $\textcircled{4}$  we get  
Multiplying  $\textcircled{3}$  by 13 &  $\textcircled{4}$  by 15, we get

$$V_1 = 21.19$$

$$V_2 = 5.17$$

$$I_4 = \frac{V_2}{40} = \frac{5.17}{40} = 0.13 \text{ A}$$

$$I_5 = \frac{V_2 - 15}{30} = \frac{5.17 - 15}{30} = -0.327 \text{ A}$$

b) Find the value of resistance to be connected across AB so as to consume maximum power in Fig No. 5. Also find maximum power consumed by it.

6M



WINTER-19 EXAMINATION

Subject Name: Electric circuits and network

Subject Code:

22330

Model Answer

31

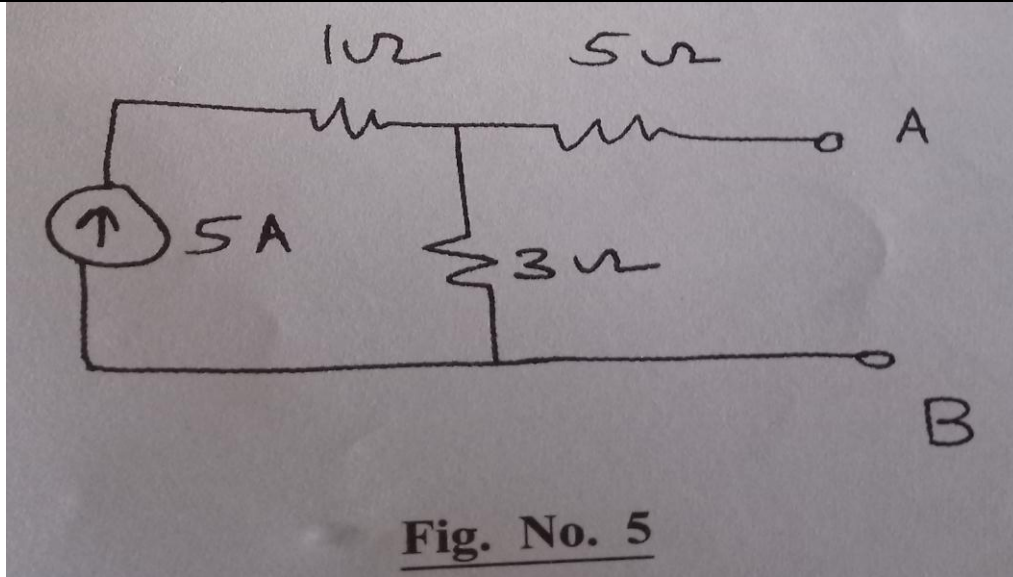


Fig. No. 5



WINTER-19 EXAMINATION

Subject Name: Electric circuits and network

Subject Code: 22330

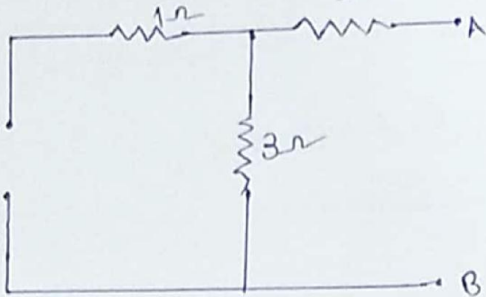
Model Answer

32

Ans:

Ans :-  
Maximum Power will be transferred when  
 $R_{TH} = R_L$ , so find out  $R_{TH}$  first.

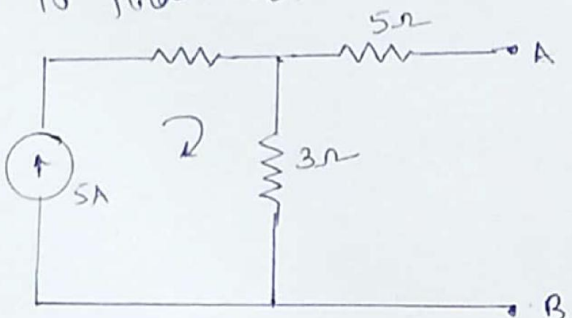
① To find  $R_{TH}$ , open SA source



$R_{TH} = 3 + 5 = 8\Omega$

$R_L = 8\Omega = R_{TH}$  to transfer maximum power.

② To find  $V_{oc}$ .



current through  $3\Omega = 5 \times 3 = 15$

$\therefore V_{oc} = 5 \times 3 = 15$

Maximum Power =  $\frac{V_{oc}^2}{4R_L} = \frac{15^2}{4 \times 8} = 7.03125 \text{ W.}$

Rth -2  
Marks,

Voc -  
2Marks,

Power -  
2Marks

c) Find Z parameters for the network shown in Fig No. 6

6M



WINTER-19 EXAMINATION

Subject Name: Electric circuits and network

Subject Code:

22330

Model Answer

33

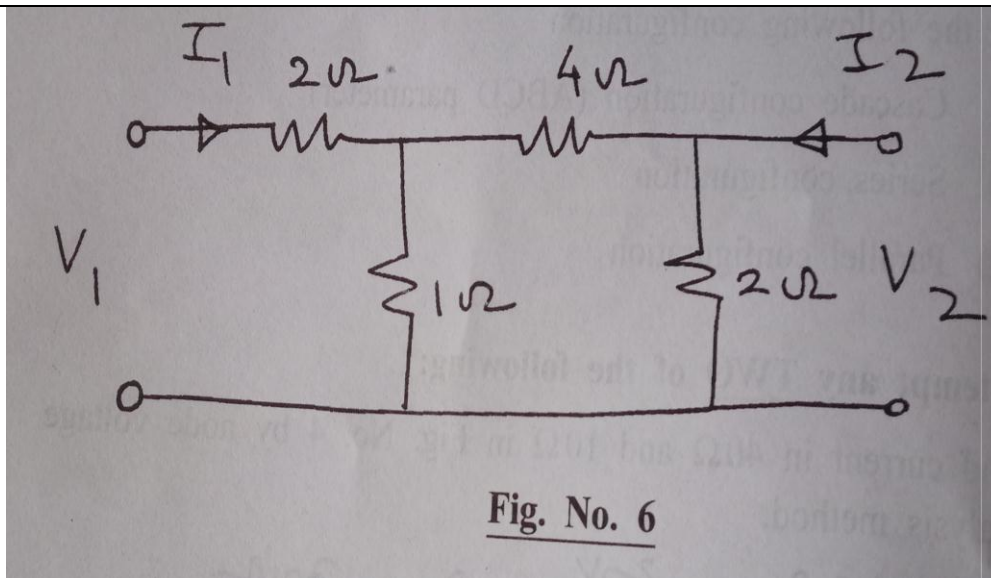


Fig. No. 6

Ans:

Z11-2  
Marks,  
Z12-  
1Mark,  
Z21 -  
2Marks,  
Z22-  
1Mark

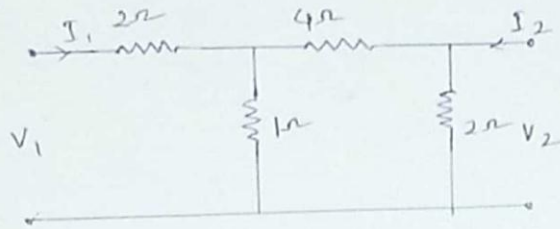
WINTER-19 EXAMINATION

Subject Name: Electric circuits and network

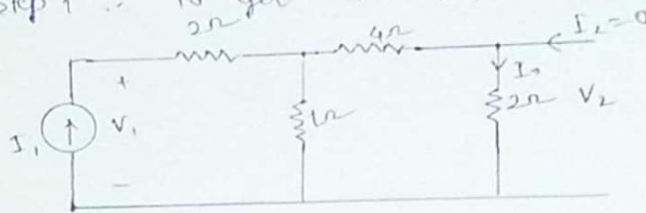
Subject Code: 22330

Model Answer

Ans :-



Step 1 :- To get  $Z_{11}$  &  $Z_{21}$ , consider the circuit as



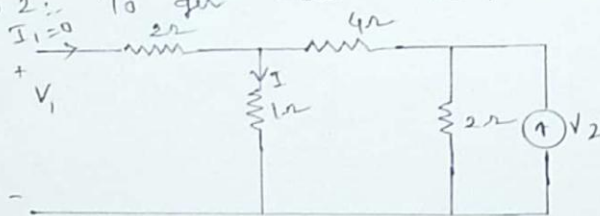
$$Z_{11} = \frac{V_1}{I_1} = 2 + j11(4+2)$$

$$= 2 + \frac{1 \times 6}{1+6} = 2 + \frac{6}{7} = 2.85$$

$$I_0 = \frac{1}{2} I_1$$

$$Z_{21} = \frac{V_2}{I_1} = \frac{2 \left( \frac{1}{2} \right) I_1}{I_1} = \frac{2}{7} \Omega = 0.28$$

Step 2 :- To get  $Z_{22}$  &  $Z_{12}$ , consider the circuit as



$$Z_{22} = \frac{V_2}{I_2} = 2 + j11(4+1) = \frac{2 \times 5}{2+5} = \frac{10}{7} = 1.44$$

$$I = \frac{2}{2+5} \times I_2 = \frac{2}{7} I_2 \quad V_1 = 1 \times I = 1 \times \frac{2}{7} I_2 = \frac{2}{7} I_2$$

$$Z_{12} = \frac{V_1}{I_2} = \frac{2}{7} I_2 \times \frac{1}{I_2} = \frac{2}{7} = 0.28$$



WINTER-19 EXAMINATION

Subject Name: Electric circuits and network

Subject Code:

22330

Model Answer

35

$$Z = \begin{bmatrix} 2.85 & 0.28 \\ 0.28 & 1.44 \end{bmatrix} \Omega$$